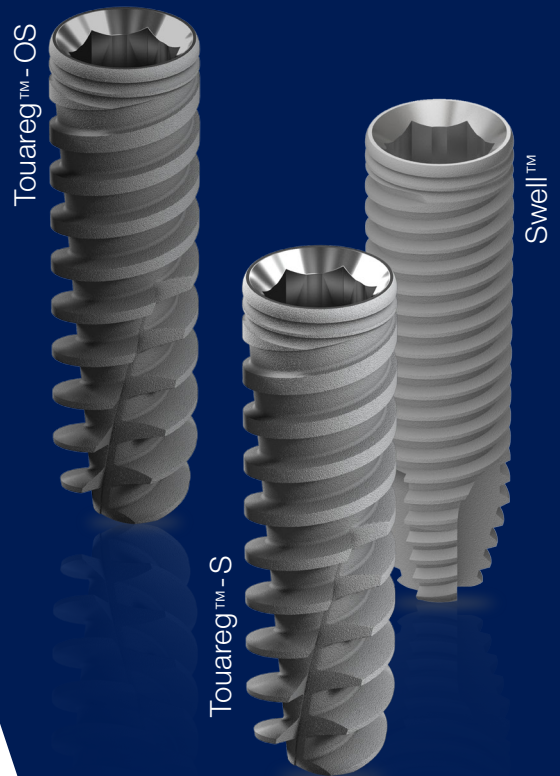


# Standard Internal Hex

Touareg™-OS

Touareg™-S

Swell™



LEAVE  
LIMITS  
BEHIND

# About ADIN

Adin Dental Implant Systems Ltd., designs, manufactures and markets state of the art, technologically advanced dental implant solutions. For more than 20 years, Adin has provided dentists and dental technicians with innovative solutions and advanced knowledge into the field of implant dentistry. The Adin plant and headquarters is located in northern Israel and employs highly skilled staff each of whom play a significant role in Adin's growing success. Adin highly values each hard working employee and attributes its growing success to their continuous dedication.

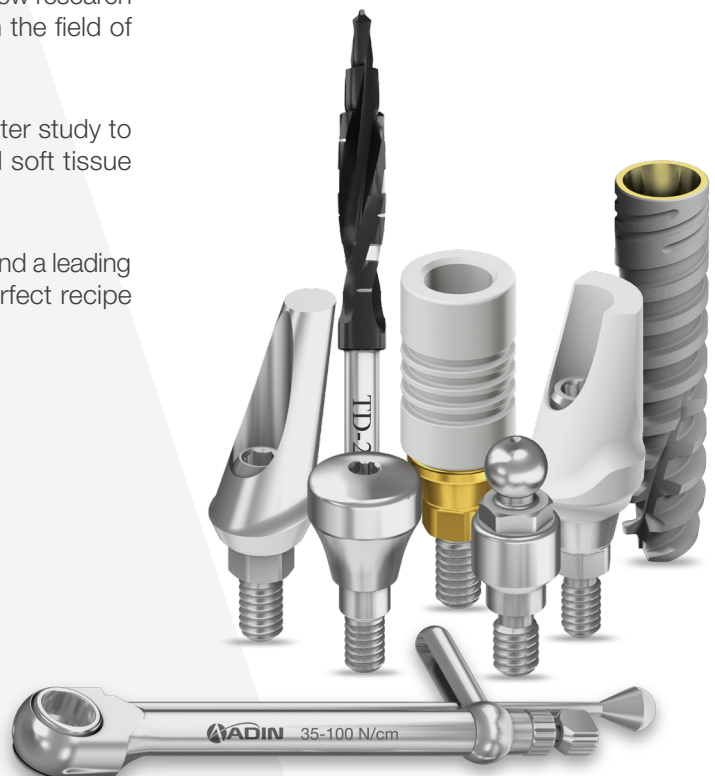
Over the years, Adin has continuously focused on advancing its highly professional research and development team to ensure the production of technologically advanced, high quality products. Adin works closely with the industry's leading dental professionals, surgeons and technicians, in both private and public sectors, along with dental schools in leading universities to provide customers with the most current, up-to-date industry knowledge and information.

Adin prides itself on providing excellent customer service, constant customer communication and the availability to provide continuous excellent implantology solutions, from the simplest restorative case to the most complex surgical case.

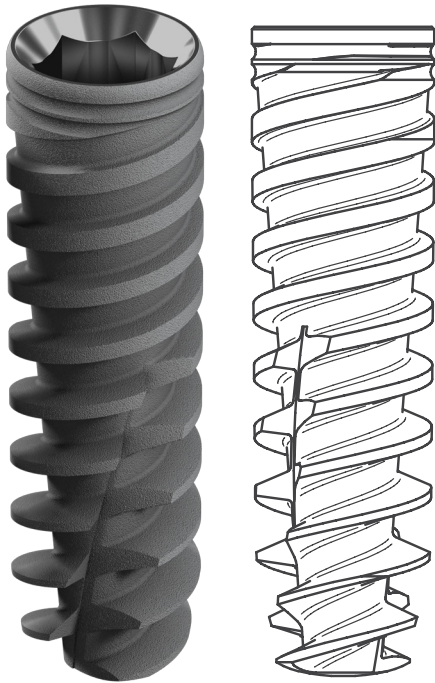
Adin's commitment to education today reflects on a better future and improving overall customer satisfaction. Adin highly values continuous education, offering customers new research opportunities to explore and review new ideas in the field of Implantology.

Currently, Adin is running a prospective multi-center study to validate the survival rates, bone remodeling and soft tissue maintenance of all dental implant systems.

With high quality implants, great customer service and a leading research and development team, Adin is the perfect recipe for success.



# TOUAREG™-OS



The Touareg™-OS Spiral Implant is a tapered implant with a spiral tap that condenses the bone during implant placement for immediate stability. It has two large variable threads and a tapered design for accurate implant placement, self tapping, improved esthetics and better load distribution. Its unique design allows immediate function for all bone types.

The Touareg™-OS features ADIN's unique OsseoFix™ -Calcium Phosphate blast surface treatment.

Note: The prosthetic connection of this implant system is a standard internal hex 3.5mmD for all implants regardless of the diameter.

### Touareg™-OS Advantages:

- ▶ Double lead threads (2x1.2mm)
- ▶ High primary stability, also in Type IV bone
- ▶ Bone-condensing property
- ▶ Self-tapping
- ▶ Redirecting capability for optimal placement
- ▶ Built-in platform switching
- ▶ Minimally invasive surgery
- ▶ Round shaped apex for minimal harm to anatomic structures in Close Sinus Lifting procedures
- ▶ Immediate function / loading capability
- ▶ Single restorative / prosthetic platform for easy restoration

\* The collar of the 4.2mmD up to 6.0mmD implants is back beveled.

### OsseoFix™ Pure Titanium Surface Treatment

Adin Dental Implant Systems has developed a highly successful implant surface treatment, OsseoFix™. OsseoFix™ is a pure titanium implant surface that uses calcium phosphate, a biocompatible resorbable blast media (RBM), that is debris free and has proven to achieve the desired roughness levels needed for optimal osseointegration and attain highest implant surface purity levels. The chemical composition of the OsseoFix™ surface is enriched with Calcium, Phosphor and Oxygen. The OsseoFix™ is biocompatible and osseoconductive.

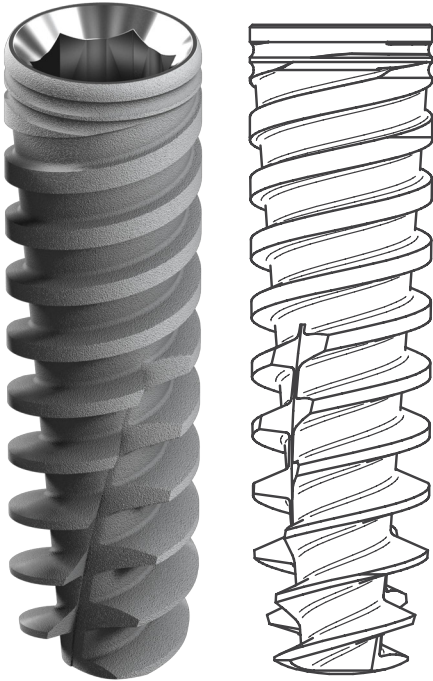
### OsseoFix™ Surface Treatment Advantages:

- ▶ Biocompatible resorbable material creating a pure and clean surface texture
- ▶ Faster healing process
- ▶ Increases optimal osseointegration
- ▶ Increases long term success

### Touareg™-OS Product Specifications

Ø	L-6.25mm	L-8mm	L-10mm	L-11.5mm	L-13mm	L-16mm	L-18mm
3.5mm		ISF0835	ISF1035	ISF1135	ISF1335	ISF1635	ISF1835
3.75mm		ISF0838	ISF1038	ISF1138	ISF1338	ISF1638	ISF1838
4.2mm	ISF0642	ISF0842	ISF1042	ISF1142	ISF1342	ISF1642	ISF1842
5.0mm	ISF0650	ISF0850	ISF1050	ISF1150	ISF1350	ISF1650	
6.0mm	ISF0660	ISF0860	ISF1060	ISF1160	ISF1360		

# TOUAREG™-S



The Touareg™-S Spiral Implant is a tapered implant with a spiral tap that condenses the bone during placement for immediate stability. It has two large variable threads and a tapered design for accurate implant placement, self drilling, improved esthetics and better load distribution. It features a special round shaped apex that pushes the bone graft with minimal harm to anatomic structures.

The Touareg™-S is very user-friendly and its unique design allows for immediate function for all bone types.

The Touareg™-S features a standard SLA™\* - AB/AE - Alumina Oxide Blasted / Acid Etched surface treatment.

Note: The prosthetic connection of this implant system is a standard internal hex 3.5mmD for all implants regardless of the diameter.

### Touareg™-S Advantages:

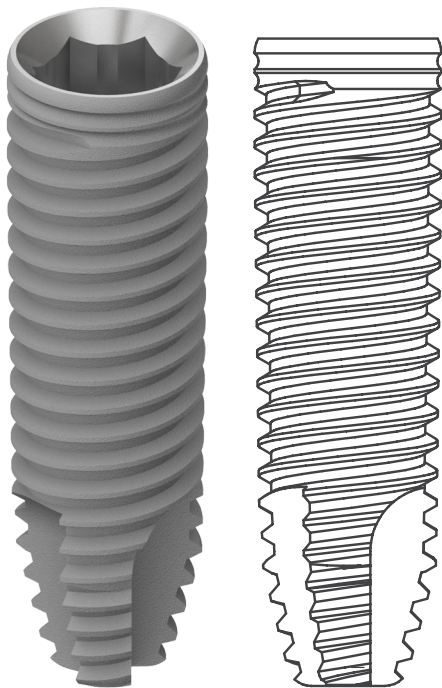
- ▶ Double lead threads (2x1.2mm)
- ▶ High primary stability, also in Type IV bone
- ▶ Bone-condensing property
- ▶ Self-drilling and self-cutting
- ▶ Redirecting capability for optimal placement
- ▶ Built-in platform switching
- ▶ Minimally invasive surgery
- ▶ Immediate function capability
- ▶ Single restorative / prosthetic platform for easy restoration

### Touareg™-S Product Specifications

Ø	L-6.25mm	L-8mm	L-10mm	L-11.5mm	L-13mm	L-16mm	L-18mm
3.5mm		ISPS 0835	ISPS1035	ISPS1135	ISPS1335	ISPS1635	ISPS1835
3.75mm		ISPS0838	ISPS1038	ISPS1138	ISPS1338	ISPS1638	ISPS1838
4.2mm	ISPS0642	ISPS0842	ISPS1042	ISPS1142	ISPS1342	ISPS1642	ISPS1842
5.0mm	ISPS0650	ISPS0850	ISPS1050	ISPS1150	ISPS1350	ISPS1650	
6.0mm	ISPS0660	ISPS0860	ISPS1060	ISPS1160	ISPS1360		

\*Institut Straumann AG's trademark.

# SWELL™



The Swell™ is a straight, parallel walled, slightly tapered implant with V-shaped thread design. Its unique design allows for accurate positioning improved esthetics and better load distribution.

The Swell™ implant features the standard SLA™\*-AB/AE-Alumina-Oxide Blasted/Acid Etched surface treatment.

Note: The prosthetic connection of this implant system is a standard internal hex 3.5mmD for all implants regardless of the diameter.

#### Swell™ Advantages:

- ▶ Double lead thread (2x0.6mm)
- ▶ Self - tapping
- ▶ Single restorative/prosthetic platform for easy restoration




### Swell™ Product Specifications

Ø	L-6.25mm	L-8mm	L-10mm	L-11.5mm	L-13mm	L-16mm	L-18mm
3.3mm			ID1033	ID1133	ID1333	ID1633	ID1833
3.75mm		ID0838	ID1038	ID1138	ID1338	ID1638	ID1838
4.2mm	ID0642	ID0842	ID1042	ID1142	ID1342	ID1642	ID1842
5.0mm	ID0650	ID0850	ID1050	ID1150	ID1350	ID1650	
6.0mm	ID0660	ID0860	ID1060	ID1160	ID1360		



## Standard Internal Hex Prosthetic Products Assortment

The full components list can be found in Adin's Product Catalog

### Healing Abutments

	RS3022	RS Healing Abutment 4.5mmD x 2mmL	Ti Grade 5
	RS3023	RS Healing Abutment 4.5mmD x 3mmL	Ti Grade 5
	RS3024	RS Healing Abutment 4.5mmD x 4mmL	Ti Grade 5





### Transfers (Implant Level)

	RS5512	RS Closed Tray Transfer 12 mm	Stainless Steel
	RS5610	RS Open Tray Transfer	Stainless Steel





### Analogs

	RS5737	RS Internal Hex Implant Analog	Stainless Steel
---	--------	--------------------------------	-----------------



### Cement Retained

	RS3800	RS Straight Titanium Abutment - No End Line	Ti Grade 5
	RS3801	RS Straight Titanium Abutment 1mm	Ti Grade 5
	RS3803	RS Straight Titanium Abutment 3mm	Ti Grade 5
	RS3804	RS Straight Titanium Abutment 4mm	Ti Grade 5




### Cement Retained

	RS4015	RS Angled Titanium Abutment 15°	Ti Grade 5
	RS4025	RS Angled Titanium Abutment 25°	Ti Grade 5
	RS4115	RS Esthetic Angled Titanium Abutment 15° 1mm	Ti Grade 5
	RS4119	RS Esthetic Angled Titanium Abutment 15° 3mm	Ti Grade 5



### Cement Retained - Zirconium Abutments

	ZA0005	RS Straight Zirconium Abutment w / Titanium Base	Zirconium+Ti Grade 5
	ZA0007	RS Angled Zirconium Abutment 15° w / Titanium Base	Zirconium+Ti Grade 5

### Cement Retained

	RS3090	RS Engaging Gold / Plastic Abutment	Gold/Plastic
	RS3095	RS Engaging Titanium / Plastic Abutment	Ti Grade 5 / Plastic
	RS3097	RS Non Engaging Titanium/Plastic Abutment	Ti Grade 5 / Plastic

### Ball Attachment - Overdentures

	RS2862	RS Ball Attachment 2mm w / Hex	Ti Grade 5
	RS2863	RS Ball Attachment 3mm w / hex	Ti Grade 5

# TMA™ Trans Mucosal Abutments System



Multi-Unit Angled and Straight Abutment System for Screw Retained Restoration. Adin's Trans Mucosal Abutment System (TMA™) is indicated for multiple-unit, screw-retained restorations. It may also be used in combination with an implant level framework design where not all implants benefit from Trans Mucosal Abutments. The system is used to elevate seating platform of restoration when restoration at implant level is not indicated or practical due to the depth or angle of the implant.

The Trans Mucosal Abutment System is designed to allow better prosthetics access when using diverging angled implants to accommodate full and partial edentulous arches, especially when using Tilted Implants and All on Four / Six technique for full arch restoration. The TMA™ abutment system is available in straight and angled (17° and 30°), engaging the internal hex for indexing, with a selection of collar heights. Abutments are delivered with handles for simple handling.

## Trans Mucosal Abutment Product Assortment The full components list can be found in Adin's Product Catalog

### Screw Retained - MU Trans Mucosal Abutments (TMA™)

	RS3731	RS Straight Trans Mucosal Abutment 1mm	Ti Grade 5
	RS3732	RS Straight Trans Mucosal Abutment 2mm	Ti Grade 5
	RS3733	RS Straight Trans Mucosal Abutment 3mm	Ti Grade 5
	RS3734	RS Angled Trans Mucosal Abutment 17° 2mm	Ti Grade 5
	RS3737	RS Angled Trans Mucosal Abutment 17° 3mm	Ti Grade 5
	RS3735	RS Angled Trans Mucosal Abutment 30° 3mm	Ti Grade 5
	RS3738	RS Angled Trans Mucosal Abutment 30° 4mm	Ti Grade 5
	RS5005	TMA Healing Cap	Ti Grade 5
	RS4900	TMA Titanium Temporary Copying	Ti Grade 5
	RS5004	TMA Abutment Replica	Ti Grade 5
	RS5006	TMA Impression Coping Open Tray	Ti Grade 5
	RS5011	RS TMA Closed Tray Transfer	Ti Grade 5

### Torque Drivers

	RS6197	TMA/FC Hex Torque Driver - Short	Stainless Steel
	RS6196	TMA/FC Hex Torque Driver - Long	Stainless Steel

### Handpiece Drivers and Adaptors

	RS6194	TMA /FC Hex Handpiece Adapter - Short	Stainless Steel
	RS6195A	TMA/FC Hex Handpiece Adapter - Long	Stainless Steel
	RS3729	RS Straight Trans Mucosal Abutment 4mm	Ti Grade 5

Note: Abutments and Impression Copings are packed with their compatible retaining/prosthetic screw.



[www.adin-implants.com](http://www.adin-implants.com)

ADIN products comply with the standards set by the FDA and other regulatory agencies. All ADIN products are CE-marked in accordance with the Council Directive 93/42/EEC and Amendment 2007/47/EC. ADIN complies with ISO13485:2012 and the Canadian Medical Devices Conformity Assessment System (CMDCAS). Product availability may vary between countries. For more information, please contact your local ADIN office.